

World Crossbow Shooting Association Inc.
secretarygeneral@worldcrossbow.com
www.worldcrossbow.com

Competition and Shooting Rules for World Championship. Regional Championship. Registered Star competition.

Appendix, Diagrams, Addendums.

Book 11 of 11.

for

Target, Standard, Freestyle, and Medieval Crossbow

INDEX

BOOK 11. APPENDIX / DIAGRAMS

(Interactive Index)

[Appendix 1 Target Crossbow](#)

[Appendix 2 Standard and Freestyle Crossbow](#)

[Appendix 3 Medieval Crossbow](#)

[Appendix 3a Medieval Names](#)

[Appendix 3b Bolt Track Options](#)

[Appendix 3c Butt End](#)

[Appendix 3d String](#)

[Appendix 4 Medieval crossbow Trigger](#)

[Appendix 5 Bolt Retainer and String Loop](#)

[Appendix 6 Target Bolts](#)

[Appendix 7 Recommended Outdoor Target Ground Layout](#)

[Appendix 8 Target Butt](#)

[Appendix 9 Wind Indicator](#)

[Appendix 10 30 Second Timer Board](#)

[Appendix 11 Target Face](#)

[Appendix 12a Recommended Outdoor Match-Play Ground Layout](#)

[Appendix 12b Recommended team Outdoor Match-Play Ground Layout](#)

[Appendix 13 Match-play Chart](#)

[Appendix 14 Assisted Shooters Crossbow Support Picture](#)

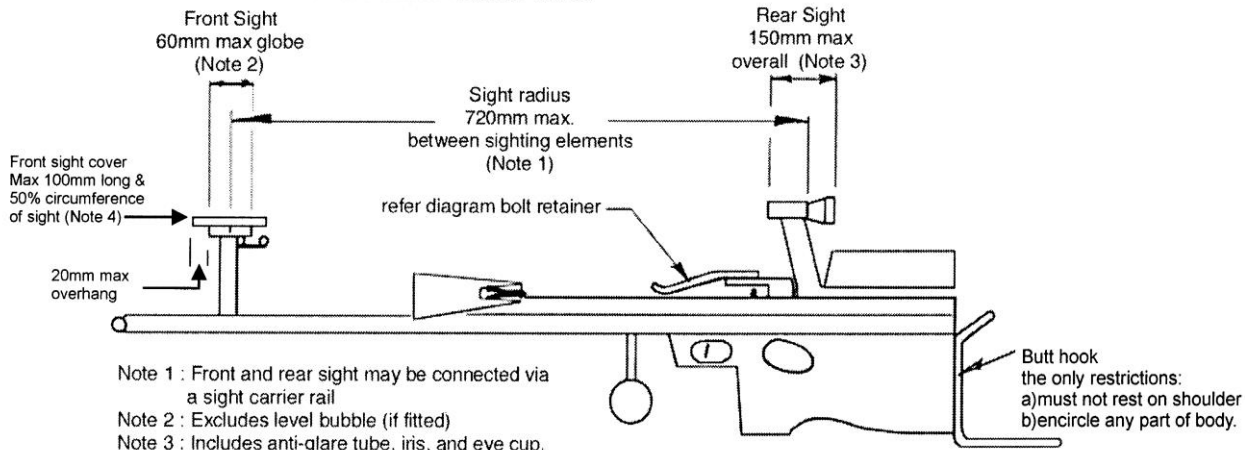
[ADDENDUM 1. Recommended World Crossbow Championship formats](#)

[ADDENDUM 2. World Championship Rounds](#)

[ADDENDUM 3. Rounds Matrix](#)

APPENDIX 1 - TARGET CROSSBOW

TARGET CROSSBOW DIMENSIONAL AND WEIGHT LIMITS

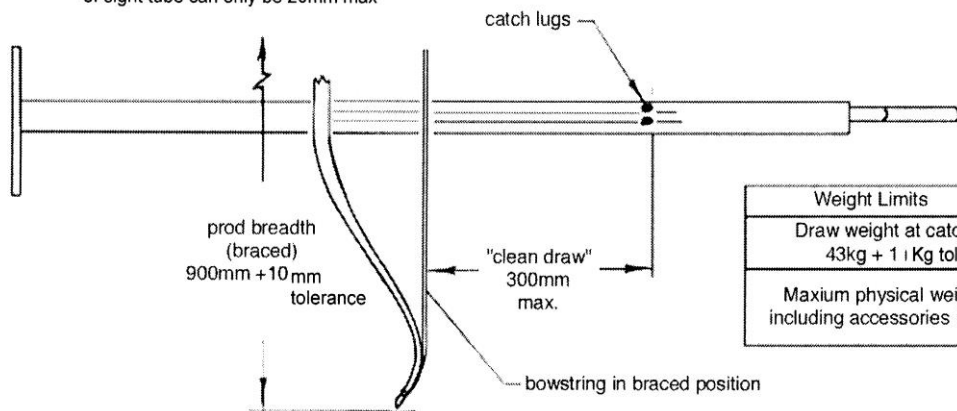


Note 1 : Front and rear sight may be connected via a sight carrier rail

Note 2 : Excludes level bubble (if fitted)

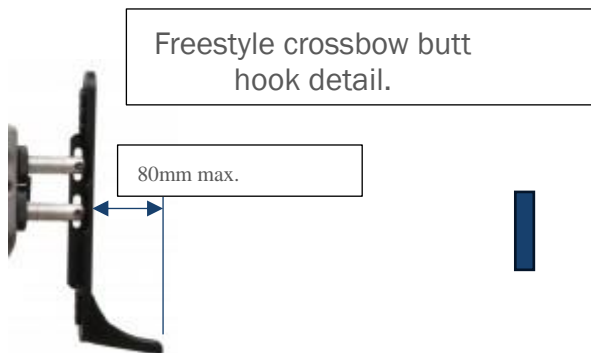
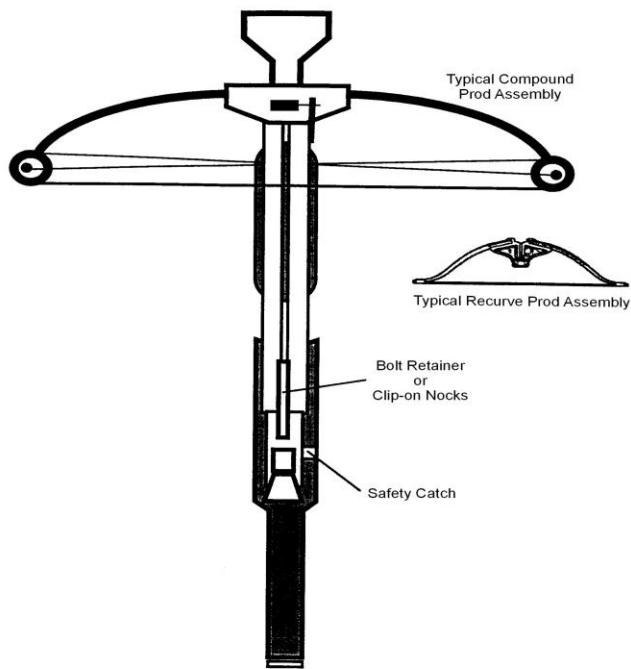
Note 3 : Includes anti-glare tube, iris, and eye cup.
Excludes dovetail mount

Note 4 : Cover can be fitted but Overhang each end of sight tube can only be 20mm max



Weight Limits	
Draw weight at catch	43kg + 1 kg tolerance
Maximum physical weight including accessories	10kg

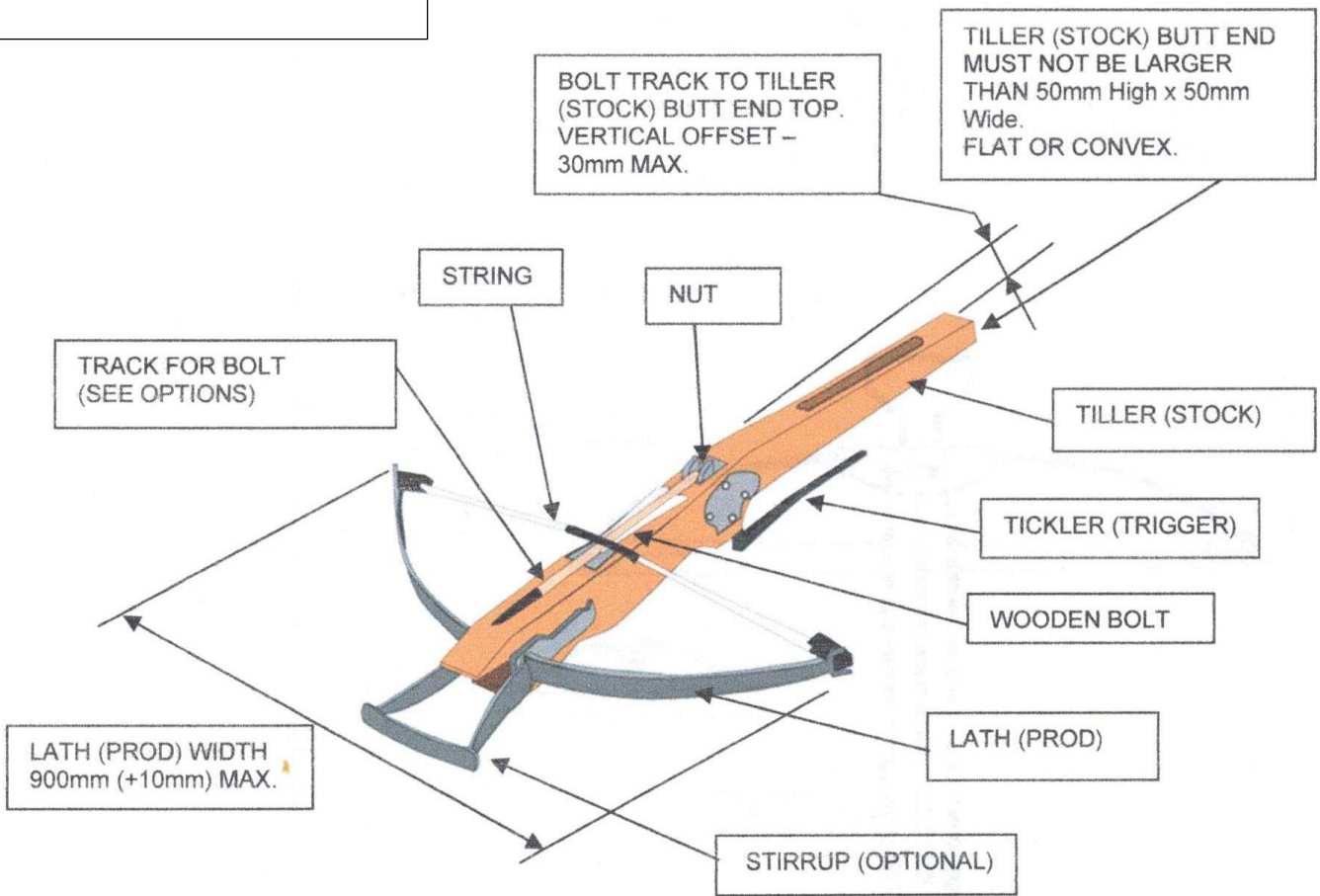
APPENDIX 2 - TYPICAL COMMERCIALY PRODUCED STANDARD & FREESTYLE CROSSBOWS.



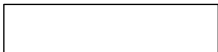
APPENDIX 3 -
EXAMPLE ONLY - MEDIEVAL STYLE CROSSBOWS



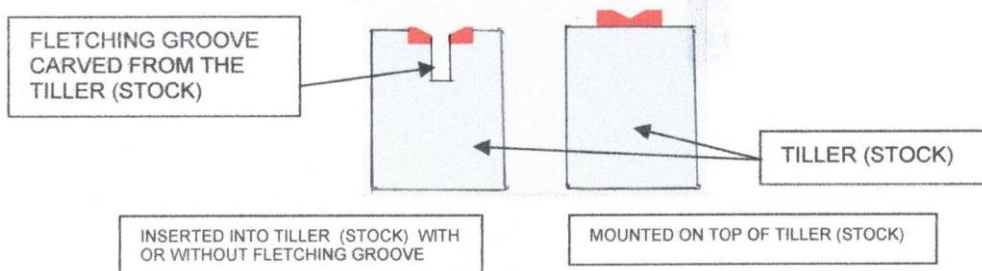
APPENDIX 3A



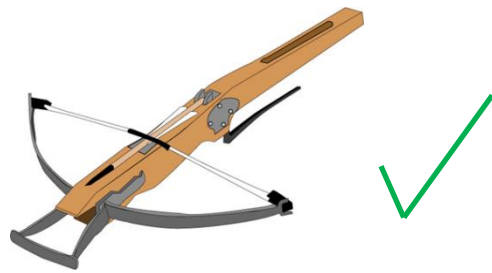
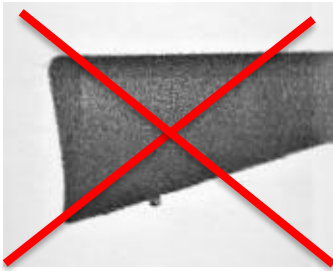
APPENDIX 3B



REPLACEMENT BOLT TRACK OPTIONS



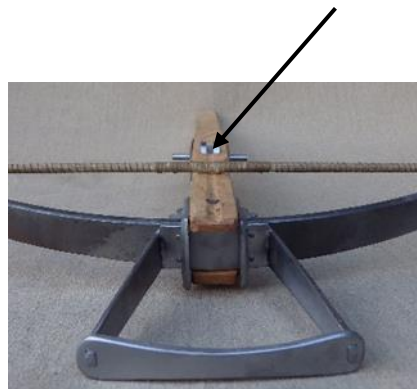
APPENDIX 3C



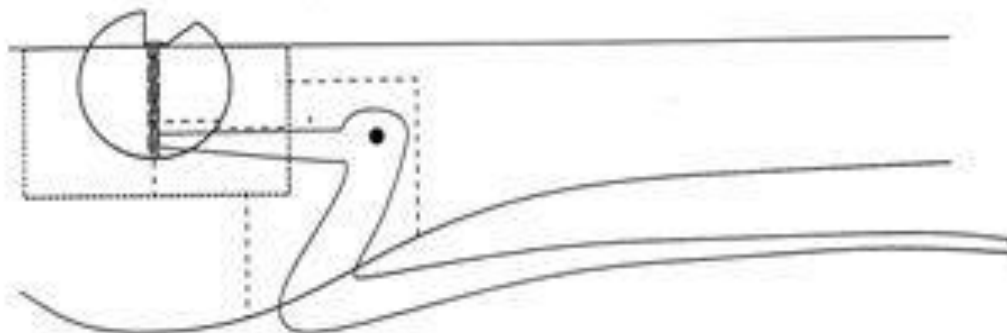
Rifle style Tiller (stock) end is not permitted.

APPENDIX 3D

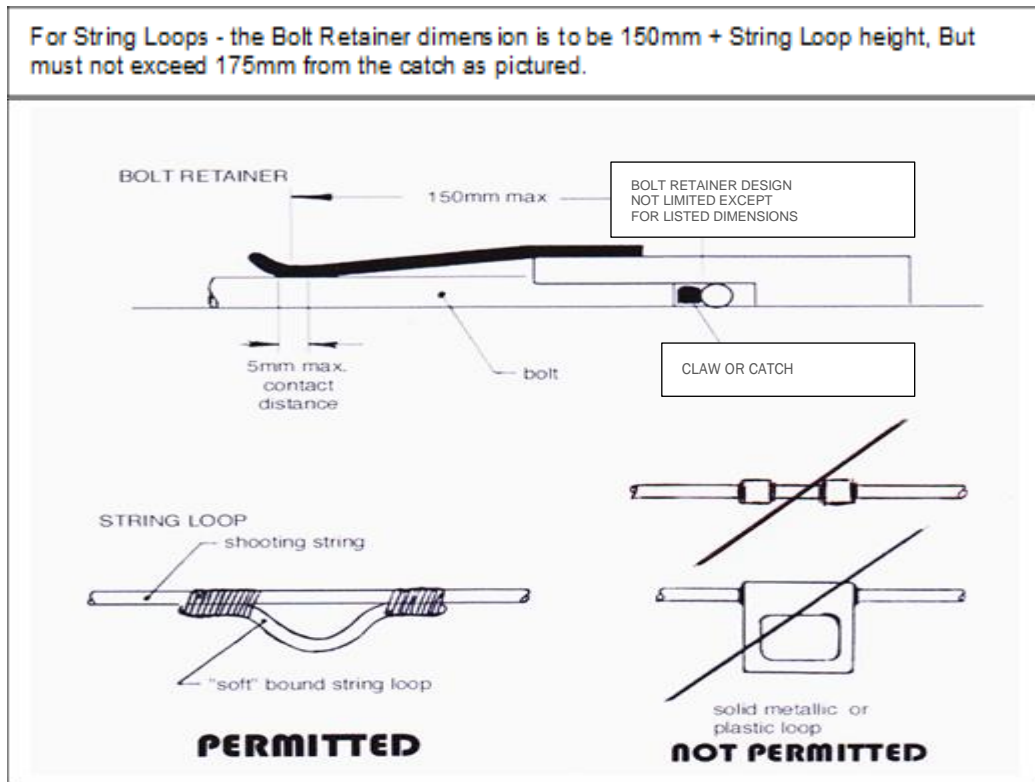
STRING DIAMETER MEASURED AT THE CENTRE OF THE STRING ON BRACED LATH (PROD).



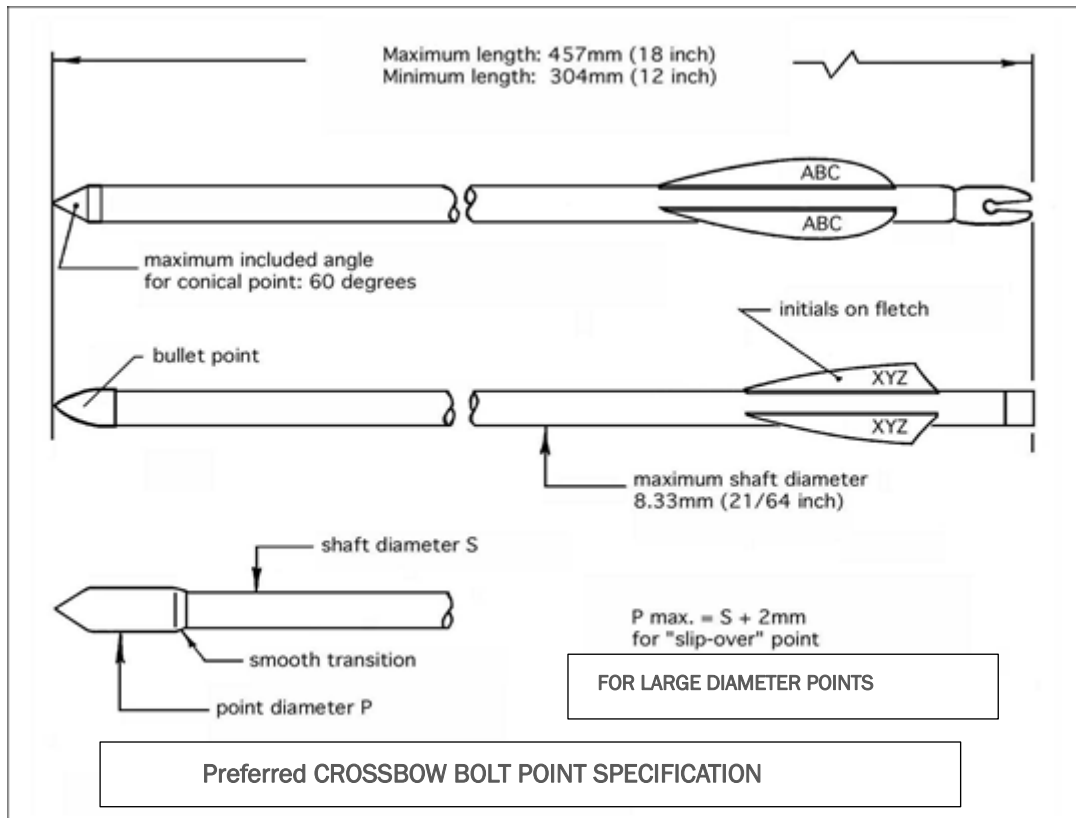
APPENDIX 4 - DIAGRAM OF MEDIEVAL CROSSBOW TICKLER (TRIGGER) MECHANISM.



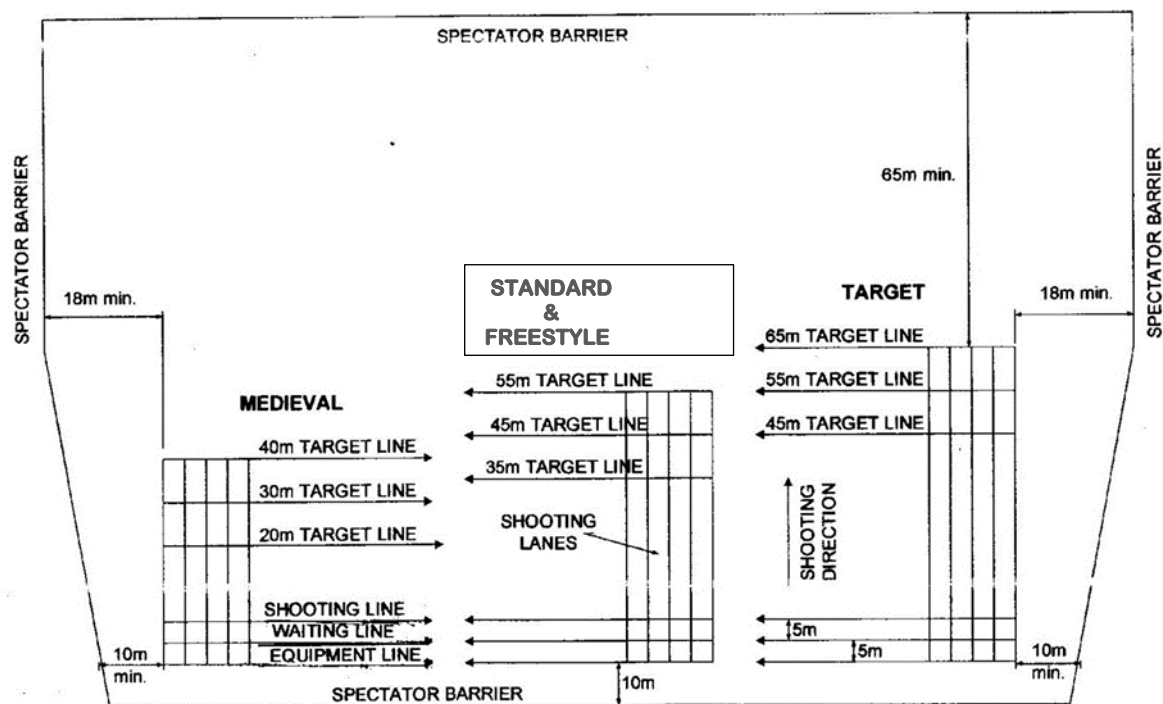
APPENDIX 5 – BOLT RETAINER AND STRING LOOP. (TARGET, STANDARD AND FREESTYLE)



APPENDIX 6 – TARGET CROSSBOW BOLTS (PREFERRED BOLT POINT CONFIGURATION)

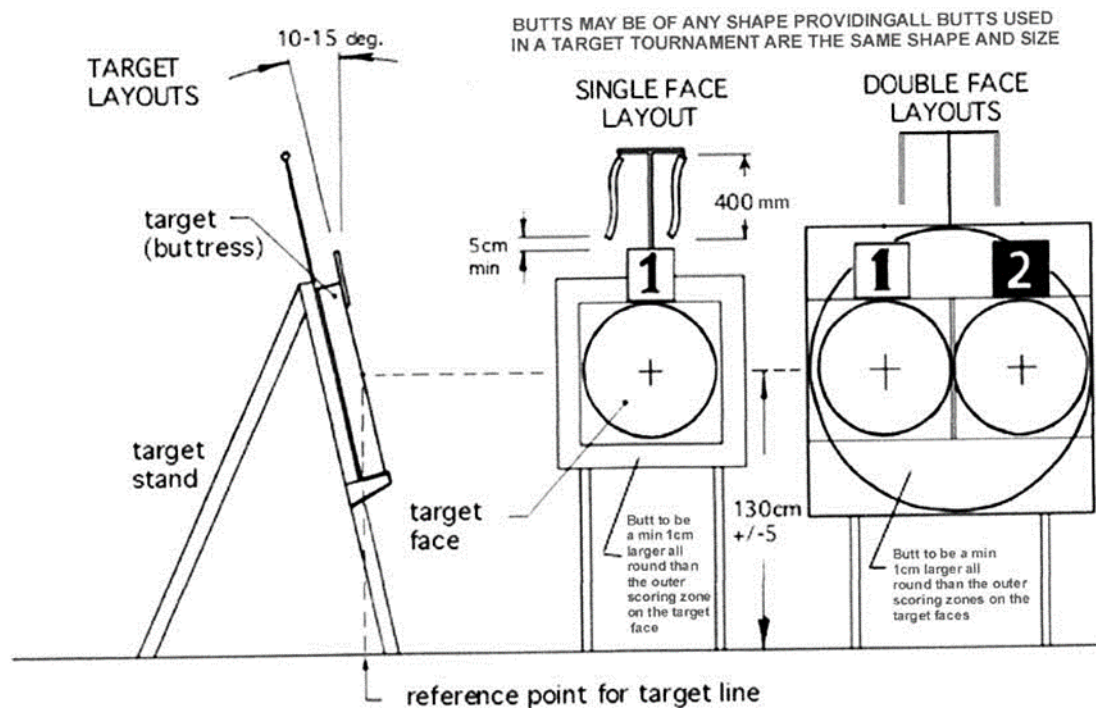


APPENDIX 7 – RECOMMENDED GROUND LAYOUT FOR WORLD TARGET CHAMPIONSHIPS

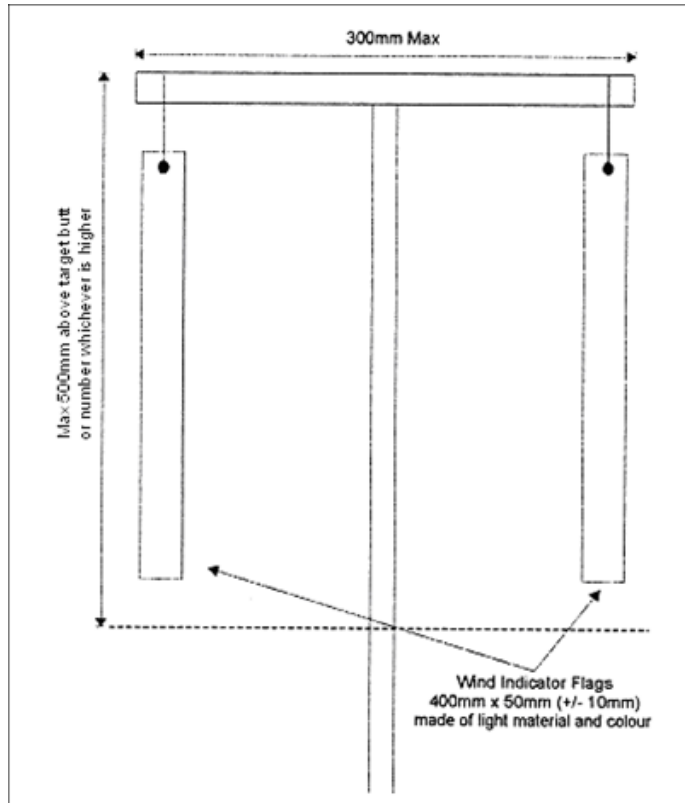


APPENDIX 8 – TARGET BUTT

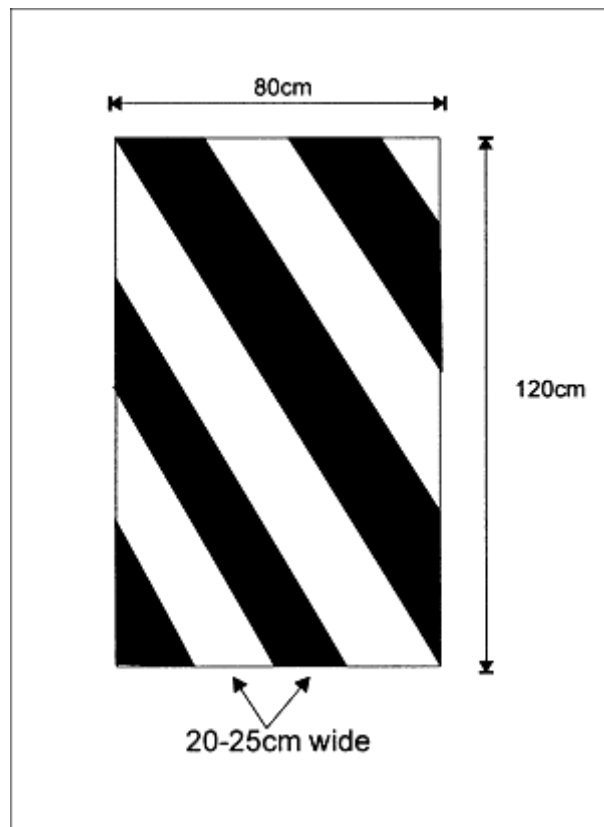
All Target Buttresses must be attached to the Target stand and the Target stand must be Anchored to the ground



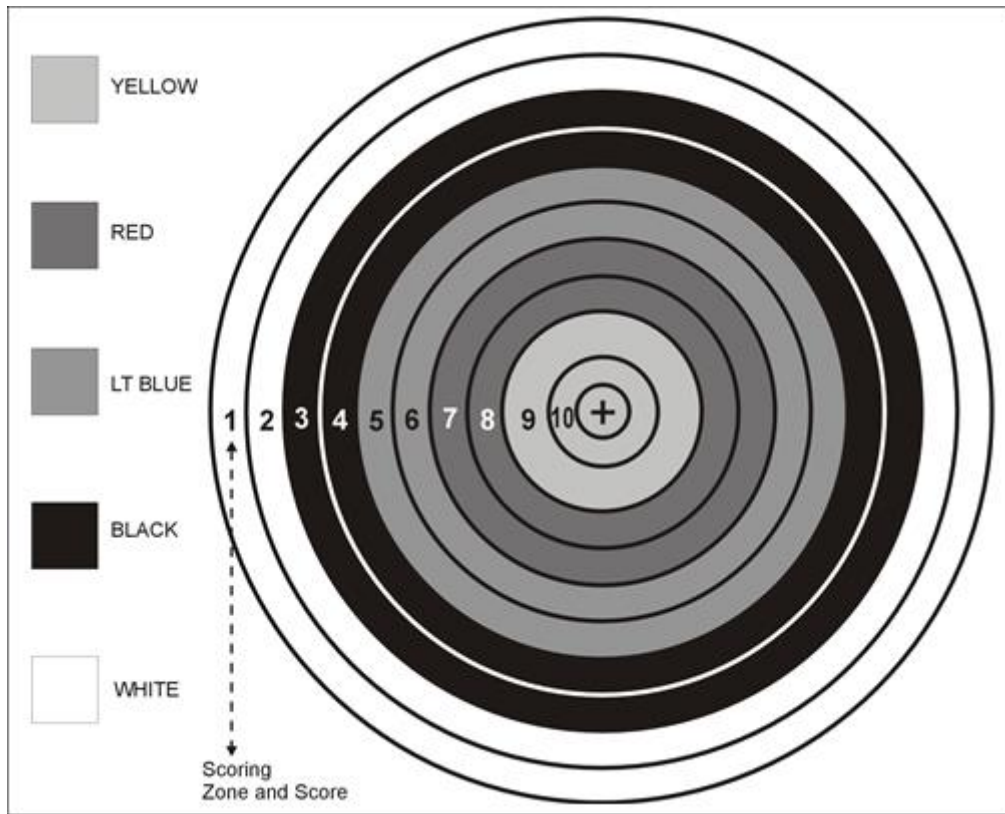
APPENDIX 9 – TARGET WIND INDICATORS (PREFERRED COLOUR TO BE YELLOW)



APPENDIX 10 – TARGET 30 SECOND TIMER PLATES.



APPENDIX 11 – TARGET FACES.

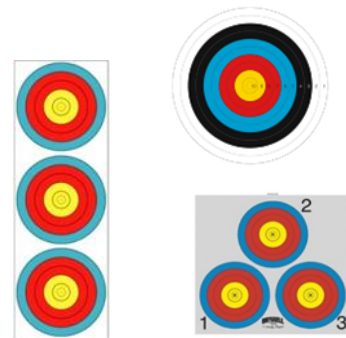


TYPICAL OUTDOOR TARGET AND INDOOR TARGET FACES

OUTDOOR



INDOOR OPTIONS



TYPICAL FOREST , BUSHLAND AND 3D TARGET FACES.



FOR FOREST ROUND

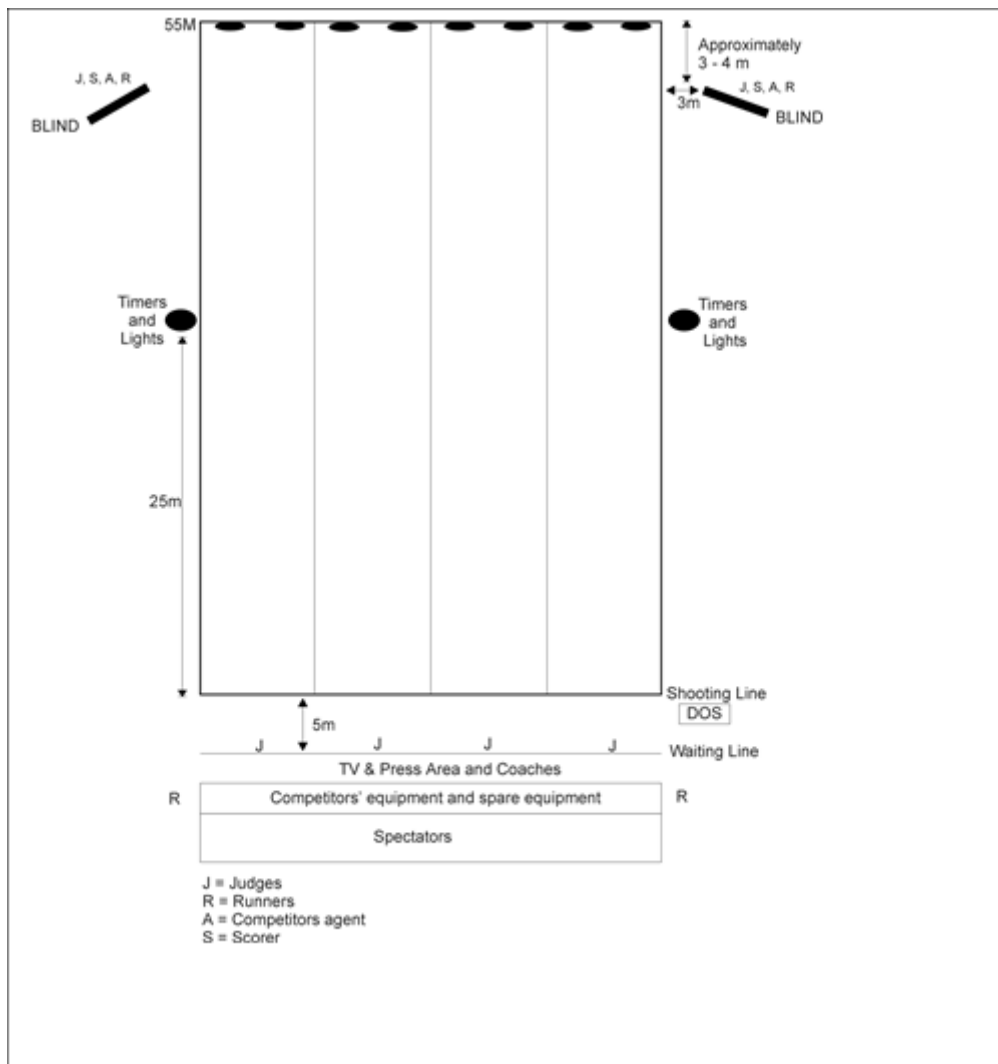


FOR BUSHLAND ROUND

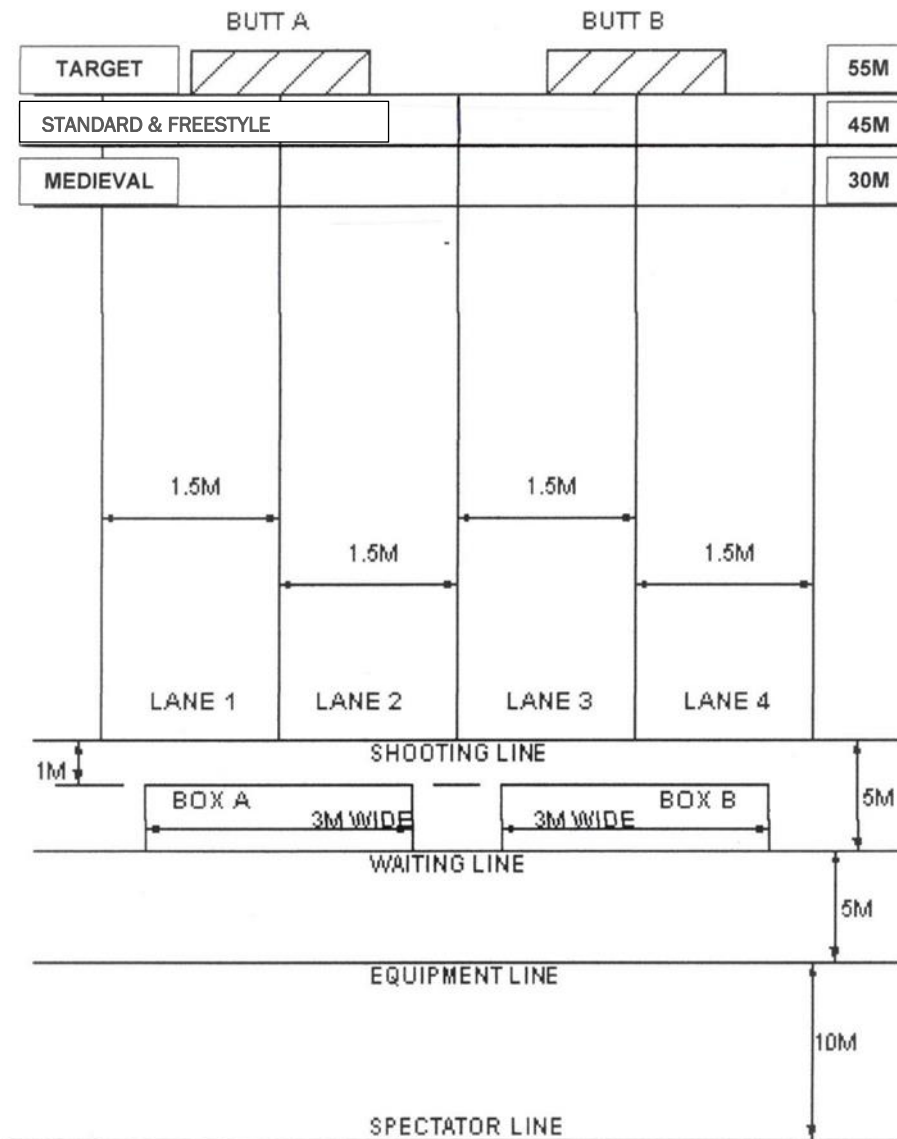


FOR 3D ROUND

APPENDIX 12A – RECOMMENDED WORLD CHAMPIONSHIP OUTDOOR MATCH-PLAY GROUND LAYOUT.

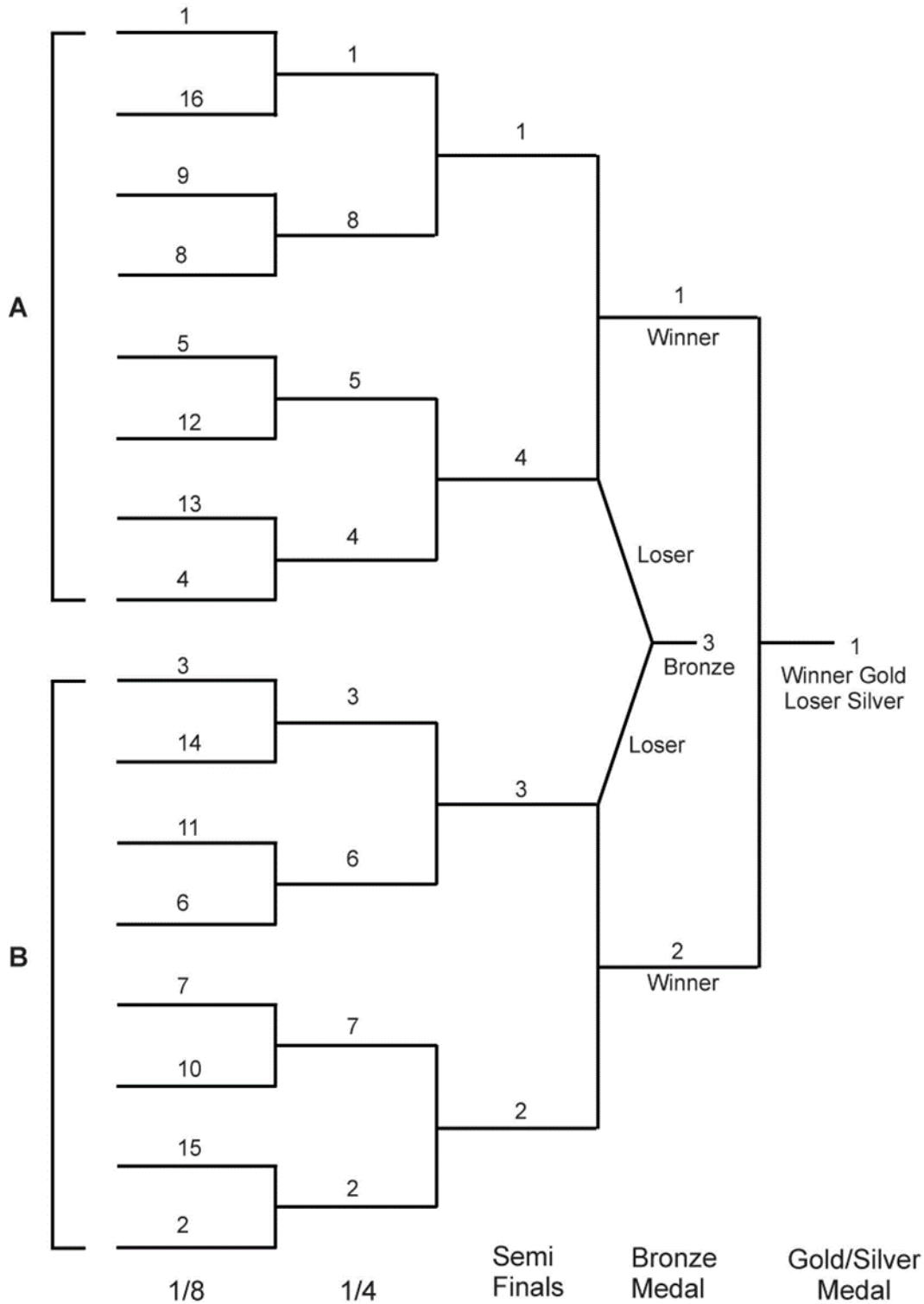


APPENDIX 12B – RECOMMENDED TEAM WORLD CHAMPIONSHIP OUTDOOR MATCH-PLAY GROUND LAYOUT.



APPENDIX 13 – EXAMPLE OF MATCH-PLAY SEEDING CHART.

MATCHPLAY CHART (16 Competitors)



Order of shooting with 4 targets (2 competitors per target) = Group B first then Group A

Winner of each match moves along line to next match - Loser drops out.

Winners of Semi Finals shoots for Gold/Silver Medals - Losers shoot for Bronze Medal

APPENDIX 14 - ASSISTED CROSSBOW SUPPORT STAND - WCSA APPROVED AND LICENCED (PICTURE).



ADDENDUM 1.

THE WORLD CROSSBOW CHAMPIONSHIP FORMATS.

THE WORLD CROSSBOW CHAMPIONSHIPS	
DAY	EVENT DETAILS
	WORLD TARGET CHAMPIONSHIP
1	UNOFFICIAL PRACTICE & JUDGES SEMINAR / COACHING SEMINAR
2	OFFICIAL PRACTICE & OPENING CEREMONY
3	TARGET CHAMPIONSHIP - DAY 1 & AGM MEETING
4	TARGET CHAMPIONSHIP - DAY 2 & MEDAL PRESENTATION
	(WCSA Target medals presented on aggregate of the 2 days of shooting)
5	INDIVIDUAL and TEAM MATCH-PLAY & MEDAL PRESENTATION
6	FOREST CHAMPIONSHIP - DAY 1 - FOREST ROUND
7	FOREST CHAMPIONSHIP - DAY 2 - BUSHLAND ROUND AND MEDAL PRESENTATION
	(WCSA Forest medals presented on aggregate of the 2 days of shooting)
	EVENT DINNER.
	WORLD 3D CHAMPIONSHIP
1	OFFICIAL PRACTICE & OPENING CEREMONY
2	3D CHAMPIONSHIP - DAY 1
3	3D CHAMPIONSHIP - DAY 2 & MEDAL PRESENTATION AND EVENT DINNER
	(WCSA 3D medals presented on aggregate of the 2 days of shooting)

DAY	EVENT DETAILS
1	INDOOR TARGET CHAMPIONSHIP - (TARGET, STANDARD, FREESTYLE, MEDIEVAL & ASSISTED)
	(may be conducted over one or two selected days)
1	BENCH, KNEELING and PRONE CHAMPIONSHIP - (TARGET, STANDARD, FREESTYLE, MEDIEVAL & ASSISTED)
	(may be conducted over one or two days)

ADDENDUM 2. - CHAMPIONSHIP ROUNDS.

WORLD CHAMPIONSHIP ROUNDS.		CODE:- ROUND PLUS MAX SCORE / START DISTANCE IN METRES / FACE SIZE IN CM.		
OUTDOOR	TARGET	STANDARD	FREESTYLE	MEDIAVAL
TARGET	TC 900/65/60	SC 600/55/60	FC 600/55/60	MC 900/40/60
MATCHPLAY	MPTC 90/55/60	MPSC 60/45/60	MPFC 60/45/60	MPMC 90/30/60
<u>INDOOR</u>				
SINGLE	TC 600/18/40	SC 600/18/40	FC 600/18/40	MC 600/18/40
DOUBLE	TC 1200/18/40	SC 1200/18/40	FC 1200/18/40	MC 1200/18/40
<u>BENCH, PRONE, KNEELING</u>				
BENCH	BTC 600/70/40	BSC 600/70/40	BFC 600/70/40	
PRONE	PTC 600/70/40	PSC 600/70/40	PFC 600/70/40	
KNEELING				KMC 600/50/60
<u>WORLD & REGIONAL ROUNDS</u>				
SINGLE - INDOOR	TC 600/25/40	SC 600/25/40	FC 600/25/40	MC 600/25/40
SINGLE - INDOOR	TC 600/18/40	SC 600/18/40	FC 600/18/40	MC 600/18/40
DOUBLE - INDOOR	TC 1200/18/25/40	SC 1200/18/25/40	FC 1200/18/25/40	MC 1200/18/25/40
DOUBLE - INDOOR	TC 1200/18/40	SC 1200/18/40	FC 1200/18/40	MC 1200/18/40
<u>MISCELLANEOUS INDOOR AND OUTDOOR ROUNDS FOR ADDITIONAL RANKING POINTS.</u>				
NOTE:- "++" MULTIPLE FACE SIZES AT A DISTANCE WITH NOTED FACE SIZE START.				
REYNOLDS 1 - INDOOR	REY 400/18/40			
REYNOLDS 2 - INDOOR	REY 400/25/40			
<u>OUTDOOR</u>				
ATLANTIC	ALT 600/45/60++		BRADBURY 1	BRAD 900/45/40++
BALTIC	BAL 300/55/40		BRADBURY 2	BRAD 900/35/40++
GREAT SOUTHERN	GS 300/45/40		BRADBURY 3	BRAD 900/25/40++
INTERNATIONAL	INT 1440/70/60++		HAYWARD 1	HAY 600/45/40++
MEDITERRANEAN	MED 300/65/60		HAYWARD 2	HAY 600/35/40++
PACIFIC	PAC 900/60/60		HAYWARD 3	HAY 600/25/40++
TC960	TC 960/70/60++			
TQ480	TQ 480/50/60			

if in doubt always refer to the latest version of the WCSA Shooting Rules on the WCSA Website - www.worldcrossbow.com

The Forest, Bushland and 3D rounds use different distances and faces sizes at each target.

These rounds are shot over 24 targets with Forest and Bushland having 2 shots per target and 3D having 1 shot per target.

ADDENDUM 3. - ROUND MATRIX.

Ranking Rounds	Bolts	Distance and Bolts per Distance											Score			
		70m	65m	60m	55m	50m	45m	40m	35m	30m	25m	20m		18m		
TC900 (Target)	90		30*		30*											900
SC/FC600 (Std & Free)	60				20*											600
MC900 (Medieval)	90									30*				30*		900
TC600 (Indoor)	60														60+	600
Pacific	90			30*												900
Atlantic	60					30*										600
Mediterranean	30		30*													300
Baltic	30				30+											300
Great Southern	30					30+										300
International	144	36*		36*		36+							36+			1440
TQ50/480	48					48*										480
TC960	96	24*		24*		24*							24+			960
Bradbury 1	90							30x3+/*/#								900
Bradbury 2	90								30x3+/*/#							900
Bradbury 3	90									30x3+/*/#						900
Hayward 1	60							20x3+/*/#								600
Hayward 2	60															600
Hayward 3	60											20x3+/*/#				600
Reynolds 1	40													40+		400
Reynolds 2	40													40+		400
Bench (Target, Std, Free)	60	60+														600
Prone (Target, Std, Free)	60	60+														600
Kneeling (Medieval)	60						60*									600
Forest - WCSA rules	48	(Different distances and target face sizes.)														
Bushland - WCSA rules	48	(Different distances and target face sizes.)														
3D - see WCSA rules	24	(Different distances and target face sizes.)														

Target Face Code: -

- (#) 80cm Multi coloured target face (10 ring or 8 ring style faces permitted).
- (*) 60cm Multi coloured target face (10 ring).
- (+) 40cm Multi coloured target face (10 ring)
- (+) 40cm Triple vertical or Triple triangle. 5 ring style faces are permitted to avoid bolt damage.

